

# PRUNUS A3



The optica shielding in the PRUNUS A3 combines pleasant light with a visual transparency. The optica shielding in the A3 ensures a pleasant glow from the luminaire with good even distribution. This avoids light pollution and increases pleasantness of the light. As a modular member of the PRUNUS family, the A3 can be supplied with an LED ring in the top cover or mounting flange and all the aluminium components are double coated.





### BENEFITS

- ▶ Modular luminaire family
- ▶ Light when and where it is required
- ▶ Comfortable light scene with a visual transparency
- ▶ High-end design with functional control
- ▶ Easy mounting and installation

### SMART LIGHTING



Connectable to any **Zhaga-D4i** system via the universal Zhaga book 18 connector.

**SmartScan** for applications with mast heights up to 4 meters.

### OPTION: RGB LED-RING

RGB LED ring upper cover silicon (semi-transparent)  
 RGB LED ring in pole top collar, acrylic (semi-transparent)

- |  |  |
|--|--|
|  Lavender White |  Eco Green    |
|  Sun Yellow     |  Ocean Blue   |
|  Scarlet Red    |  Evening Red  |
|  Sky Blue       |  Royal Orange |

Colours can deviate in reality.



Want to speak to a specialist?  
**Click on / scan** the QR-code!

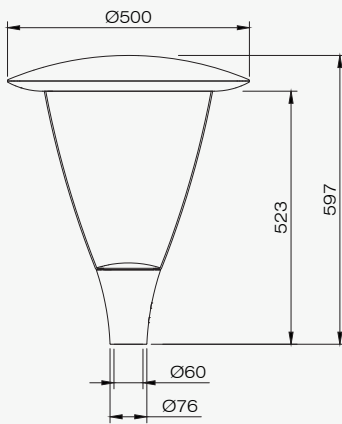
#### PRODUCT SPECIFICATIONS

- ▶ Aluminium top cover: coated
- ▶ Standard colour: RAL 7016
- ▶ Light cover: UV-stabilised polycarbonate, clear
- ▶ Lens cover: bowl-shaped optic, clear
- ▶ Pole-mounted size: 60 mm
- ▶ Safety class: I
- ▶ Voltage: 230/240 V, 50 Hz
- ▶ Standard Surge Protection (CM/DM): 8 kV/6 kV
- ▶ Standard cable type H05BQ-F (3x1.0 mm<sup>2</sup>)
- ▶ CRI: > 70
- ▶ Colour temperature neutral white (4,000K) or warm white (3,000K)
- ▶ Expected lifespan 100.000 hours at T environment = 25 °C (L96/F10)
- ▶ Different lens configurations
- ▶ LED2WELL-Core
- ▶ Assembly-, installation- and maintenance-friendly

#### OPTIONS

- ▶ Other RAL colour
- ▶ Safety class II
- ▶ DALI-2
- ▶ Constant Lumen Output (CLO)
- ▶ Other pre-fitted cable
- ▶ Pole-mounted size 76 mm
- ▶ LED2WELL-Pro

**DIMENSIONS IN MM**



**DIMENSIONS AND MOUNTING**

Height x Diameter	597 x 500 mm
Weight in kg (basic model)	+/- 6 kg (depending on the model)
Wind-exposed surface	Wind-exposed surface front: 0,14 m <sup>2</sup>



In addition to using LED, even more energy can be saved, or light pollution avoided employing PRUNUS luminaires supplied with a factory-set dimming schedule (1A, 2A, 3A, 4A or 5A). The PRUNUS luminaire will, once the night rhythm has been established, autonomously dim when appropriate and return to 100% in the morning.



**CONSTANT LIGHT OUTPUT (CLO)**

All PRUNUS luminaires support the CLO facility, in other words the typical light degradation of about 10% over the lifespan can be compensated through gradually increasing the power over the lifespan to ensure the light intensity remains at L100.

**SYSTEMS**



PRUNUS luminaires are Zhaga-D4i certified. This certificate guarantees that any Zhaga-D4i Light Management System recognises these luminaires with their characteristics and can incorporate them in the system. PRUNUS luminaires can be supplied with one or two Zhaga- book 18 connectors so that, apart from a node, a sensor can be connected. Making the PRUNUS luminaires suitable for the latest developments in the field of smart lighting and connectivity.



Employing SmartScan sensors, movement and lighting levels can be detected and can be harmonised via mutual communication and smart software luminaires to ensure optimum lighting levels. SmartScan can typically be employed for short pole distances (bicycle paths, car parking sites) or where the exterior lighting is combined with interior lighting. Additionally, the SmartScan monitor feature can ensure that the maintenance costs are kept in check.

LED<sup>2</sup>WELL CORE Our energy-saving lighting solutions

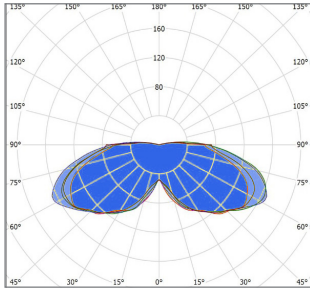
Number of LEDs	Lumen	CRI 70			
		OPTION AMBER System capacity (W)	OPTION 2700K System capacity (W)	STANDARD 3000K System capacity (W)	STANDARD 4000K System capacity (W)
16	800	8.9	-	-	-
	1050	-	8.4	7.9	7.4
	1200	12.4	9.6	8.6	8.2
	1350	-	10.5	9.6	9.1
	1500	-	11.5	10.5	9.8
	1600	16.3	12.2	11.2	10.5
	1800	-	13.6	12.4	11.7
	2000	-	15.3	13.6	12.6
	2150	-	16.2	14.5	13.6
	2300	-	17.4	15.7	14.5
	2500	-	18.9	16.9	15.7
	2750	-	21.0	18.9	17.4
	3000	-	23.0	20.6	18.9
	3240	-	25.1	22.3	20.6
	3500	-	27.3	24.3	22.3
	3780	-	29.9	26.6	24.3
4000	-	33.26	28.1	25.8	
4200	-	33.8	29.9	27.3	

LED<sup>2</sup>WELL PRO Our energy-saving solutions for **ultimate lighting comfort**

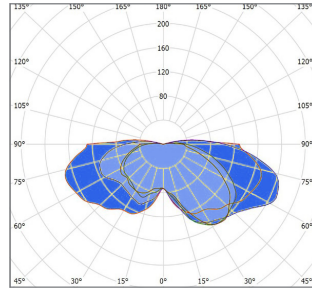
Number of LEDs	Lumen	CRI 70			
		OPTION AMBER System capacity (W)	OPTION 2700K System capacity (W)	STANDARD 3000K System capacity (W)	STANDARD 4000K System capacity (W)
32	800	-	-	5.8	5.5
	1050	-	-	7.3	7
	1200	-	-	8.0	7.7
	1350	-	-	8.9	8.6
	1500	-	-	9.8	9.3
	1600	-	-	10.4	10
	1800	-	-	11.3	10.9
	2000	-	-	12.4	12
	2150	-	-	13.1	12.7
	2300	-	-	13.8	13.6
	2500	-	-	15.4	14.7
	2750	-	-	16.7	16.1
	3000	-	-	17.9	17.5
	3240	-	-	19.3	18.8
	3500	-	-	21.0	20.2
	3780	-	-	22.2	21.7
4000	-	-	24.5	23.0	
4200	-	-	25.9	25.0	

LED<sup>2</sup>WELL CORE

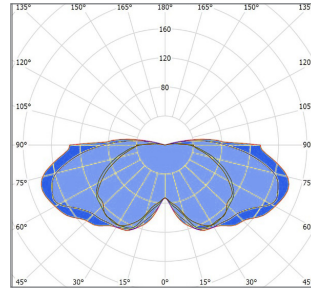
PRUNUS A3 | CODE 6



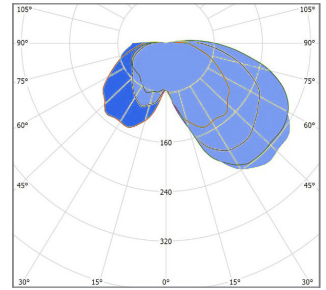
PRUNUS A3 | CODE 7



PRUNUS A3 | CODE 8



PRUNUS A3 | CODE 10



© 2024 Lightronics. All rights reserved. Lightronics makes no statements or guarantees as to the accuracy or completeness of the information contained in this document and cannot be held liable in any way for actions based on this information.

The information provided in this document is purely indicative and is not part of any offer or agreement.

Version 20-08-2024. Specifications are indicative and can be changed without prior notice being given. Printing and layout errors, as well as changes to models reserved.