



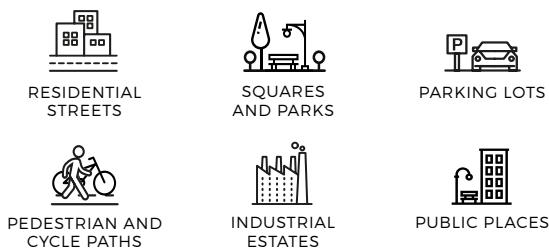
# PRUNUS A1

## — AN EYE FOR DETAIL

The PRUNUS A1 has a clear light cover and high energy efficiency. The A1 is available in various light distribution configurations so that there is always enough light when and where it is needed. This makes the A1 a sustainable and functional solution for your environment. As a member of the PRUNUS family, the A1 is available with an LED ring in the top cover or mounting flange and all the aluminium components are double coated. The PRUNUS family is also modular, assigning the entire living environment its own identity, while styling it attractively.



### Application areas



### Characteristics



### OPTIONS



**PRODUCT SPECIFICATIONS**

- Aluminium top cover: coated
- Standard colour: RAL 7016
- Light cover: UV-stabilised polycarbonate, clear
- Pole-mounted size: 60 mm
- Mass: ± 6 kg (depends on model)
- Wind surface: ± 0.14 m<sup>2</sup>
- Safety class: I
- Assembly-, installation- and maintenance-friendly
- Voltage: 230/240 V, 50 Hz
- Standard Surge Protection (CM/DM): 8 kV/6 kV
- Standard cable type H05BQ-F (3x1.0 mm<sup>2</sup>)
- CRI: > 70
- Colour temperature neutral white (4000K) or warm white (3000K)
- Expected lifespan 100.000 hours at T environment = 25°C (L96/F10)
- Different lens configurations
- LED2WELL-Core

**OPTIONS**

- Other RAL colour
- Safety class II
- Several dimming options: Dali, Dynadimmer (integrated in driver), 1-10 V
- Constant Lumen Output (CLO)
- Other pre-fitted cable
- Pole-mounted size 76 mm
- LED2WELL-Pro

**RGB LED-RING (optional)**

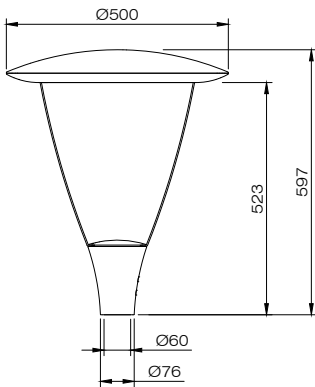
- RGB LED ring top cover silicone (semi-transparent)
- RGB LED ring mounting flange, acrylic (semi-transparent)

- |  |                |  |              |
|--|----------------|--|--------------|
|  | Lavender White |  | Eco Green    |
|  | Sun Yellow     |  | Ocean Blue   |
|  | Scarlet Red    |  | Evening Red  |
|  | Sky Blue       |  | Royal Orange |

Colours may differ from brochure printed colours.

**DIMENSIONS A1**

in mm



**SMART CITY READY (optional)**

Zhaga book 18 connector and screw cap (waterproof, IP66)



Lightronics supplies its luminaires as standard as Easy Light, with five standard dimming schedules (1A, 2A, 3A, 4A or 5A) that can switch capacity and brightness based on pre-set times.



Lightronics offers full system integration with Controlled Solutions. This includes the use of communication modules from brands such as CityTouch, Luminext or TVilight.



As an option, this luminaire can be provided with a Zhaga book 18 connector and is Zhaga-D4i certified. This means that the luminaire can communicate with all sensors and nodes that also dispose of a Zhaga-D4i certificate and is as such suitable for the latest developments in the field of smart lighting and connectivity.



The smart lighting system SmartScan optimises the use of luminaires in your environment. Thanks to wireless communication, there is always sufficient light when required and energy is saved.

**PRUNUS A1 | LED<sup>2</sup>WELL CORE OUR STANDARD LIGHTING SOLUTION**

Number of LEDs	Lumen	3000K		4000K	
		LED-power (W)	System power (W)	LED-power (W)	System power (W)
16	800	5,7	8,0	5,5	7,7
	1050	6,8	9,0	6,3	8,6
	1200	7,5	9,8	7,2	9,5
	1350	8,1	10,5	7,9	10,2
	1500	8,8	11,2	8,5	10,9
	1600	9,3	11,7	9,0	11,4
	1800	10,4	12,8	10,0	12,4
	2000	11,2	13,7	10,6	13,1
	2150	12,4	14,9	11,5	13,9
	2300	13,5	16,1	12,6	15,1
	2500	14,8	17,5	14,2	16,8
	2750	16,6	19,4	15,7	18,5
	3000	18,5	21,4	17,3	20,1
	3240	20,3	23,3	18,9	21,8
	3500	22,1	25,2	20,8	23,8
	3780	24,5	27,7	22,6	25,7
4000	25,6	29,0	24,5	27,7	
4200	27,5	31,0	25,6	29,0	

**PRUNUS A1 | LED<sup>2</sup>WELL PRO OUR ENERGY-EFFICIENT SOLUTION FOR ULTIMATE LIGHTING COMFORT**

Number of LEDs	Lumen	3000K		4000K	
		LED-power (W)	System power (W)	LED-power (W)	System power (W)
32	800	3,6	5,8	3,3	5,5
	1050	5,0	7,3	4,8	7,0
	1200	5,7	8,0	5,5	7,7
	1350	6,5	8,9	6,3	8,6
	1500	7,4	9,8	7,0	9,3
	1600	8,1	10,4	7,6	9,9
	1800	8,9	11,3	8,5	10,9
	2000	10,0	12,4	9,6	12,0
	2150	10,7	13,1	10,2	12,7
	2300	11,3	13,8	11,1	13,6
	2500	12,8	15,4	12,2	14,7
	2750	14,1	16,7	13,5	16,1
	3000	15,2	17,9	14,8	17,5
	3240	18,5	21,5	17,2	20,1
	3500	20,1	23,2	18,9	22,0
	3780	21,9	25,1	20,5	23,7
4000	23,5	26,8	21,9	25,1	
4200	25,0	28,5	23,5	26,8	



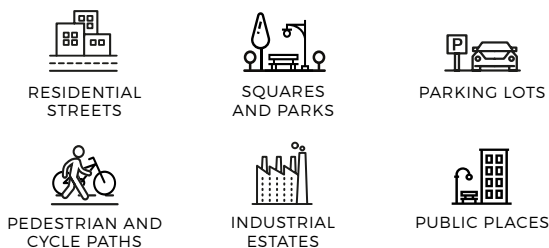
# PRUNUS A2

## — AN EYE FOR DETAIL

The PRUNUS A2 semi-frosted light cover ensures a diffused light pattern and a high degree of light comfort. The soft character of the light makes it suitable for residential neighbourhoods, squares, parks and city centres. The addition of the optional LED ring lends any environment a unique identity. Above all, with the modular PRUNUS family, you can assign the entire living environment its own identity, while styling it attractively.



### Application areas



### Characteristics



### OPTIONS





**PRODUCT SPECIFICATIONS**

- Aluminium top cover: coated
- Standard colour: RAL 7016
- Light cover: UV-stabilised polycarbonate, semi-frosted
- Pole-mounted size: 60 mm
- Mass: ± 6 kg (depends on model)
- Wind surface: ± 0.14 m<sup>2</sup>
- Safety class: I
- Assembly-, installation- and maintenance-friendly
- Voltage: 230/240 V, 50 Hz
- Standard Surge Protection (CM/DM): 8 kV/6 kV
- Standard cable type H05BQ-F (3x1.0 mm<sup>2</sup>)
- CRI: > 70
- Colour temperature neutral white (4000K) or warm white (3000K)
- Expected lifespan 100.000 hours at T environment = 25°C (L96/F10)
- Different lens configurations
- LED2WELL-Core

**OPTIONS**

- Other RAL colour
- Safety class II
- Several dimming options: Dali, Dynadimmer (integrated in driver), 1-10 V
- Constant Lumen Output (CLO)
- Other pre-fitted cable
- Pole-mounted size 76 mm
- LED2WELL-Pro

**RGB LED-RING (optional)**

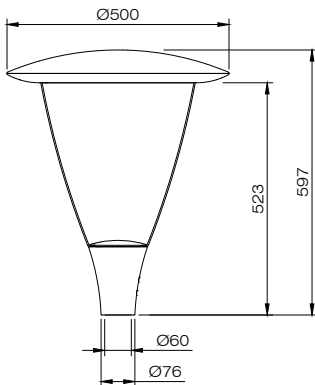
- RGB LED ring top cover silicone (semi-transparent)
- RGB LED ring mounting flange, acrylic (semi-transparent)

- |  |                |  |              |
|--|----------------|--|--------------|
|  | Lavender White |  | Eco Green    |
|  | Sun Yellow     |  | Ocean Blue   |
|  | Scarlet Red    |  | Evening Red  |
|  | Sky Blue       |  | Royal Orange |

Colours may differ from brochure printed colours.

**DIMENSIONS A2**

in mm



**SMART CITY READY (optional)**

Zhaga book 18 connector and screw cap (waterproof, IP66)



Lightronics supplies its luminaires as standard as Easy Light, with five standard dimming schedules (1A, 2A, 3A, 4A or 5A) that can switch capacity and brightness based on pre-set times.



Lightronics offers full system integration with Controlled Solutions. This includes the use of communication modules from brands such as CityTouch, Luminext or TVilight.



As an option, this luminaire can be provided with a Zhaga book 18 connector and is Zhaga-D4i certified. This means that the luminaire can communicate with all sensors and nodes that also dispose of a Zhaga-D4i certificate and is as such suitable for the latest developments in the field of smart lighting and connectivity.



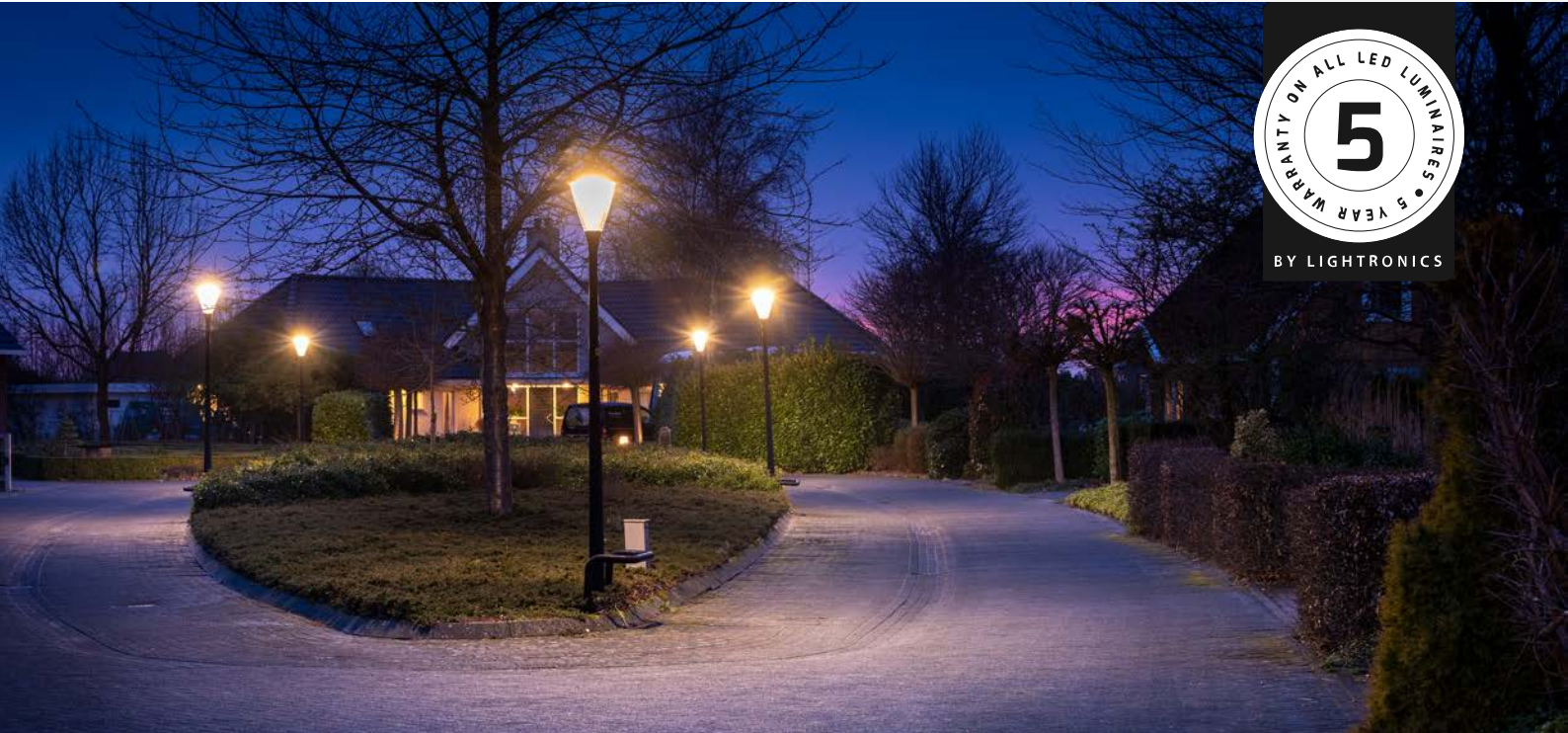
The smart lighting system SmartScan optimises the use of luminaires in your environment. Thanks to wireless communication, there is always sufficient light when required and energy is saved.

PRUNUS A2 | LED<sup>2</sup>WELL CORE OUR STANDARD LIGHTING SOLUTION

		3000K		4000K	
Number of LEDs	Lumen	LED-power (W)	System power (W)	LED-power (W)	System power (W)
16	800	5,7	8,0	5,5	7,7
	1050	6,8	9,0	6,3	8,6
	1200	7,5	9,8	7,2	9,5
	1350	8,1	10,5	7,9	10,2
	1500	8,8	11,2	8,5	10,9
	1600	9,3	11,7	9,0	11,4
	1800	10,4	12,8	10,0	12,4
	2000	11,2	13,7	10,6	13,1
	2150	12,4	14,9	11,5	13,9
	2300	13,5	16,1	12,6	15,1
	2500	14,8	17,5	14,2	16,8
	2750	16,6	19,4	15,7	18,5
	3000	18,5	21,4	17,3	20,1
	3240	20,3	23,3	18,9	21,8
	3500	22,1	25,2	20,8	23,8
	3780	24,5	27,7	22,6	25,7
4000	25,6	29,0	24,5	27,7	
4200	27,5	31,0	25,6	29,0	

PRUNUS A2 | LED<sup>2</sup>WELL PRO OUR ENERGY-EFFICIENT SOLUTION FOR ULTIMATE LIGHTING COMFORT

		3000K		4000K	
Number of LEDs	Lumen	LED-power (W)	System power (W)	LED-power (W)	System power (W)
32	800	3,6	5,8	3,3	5,5
	1050	5,0	7,3	4,8	7,0
	1200	5,7	8,0	5,5	7,7
	1350	6,5	8,9	6,3	8,6
	1500	7,4	9,8	7,0	9,3
	1600	8,1	10,4	7,6	9,9
	1800	8,9	11,3	8,5	10,9
	2000	10,0	12,4	9,6	12,0
	2150	10,7	13,1	10,2	12,7
	2300	11,3	13,8	11,1	13,6
	2500	12,8	15,4	12,2	14,7
	2750	14,1	16,7	13,5	16,1
	3000	15,2	17,9	14,8	17,5
	3240	18,5	21,5	17,2	20,1
	3500	20,1	23,2	18,9	22,0
	3780	21,9	25,1	20,5	23,7
4000	23,5	26,8	21,9	25,1	
4200	25,0	28,5	23,5	26,8	



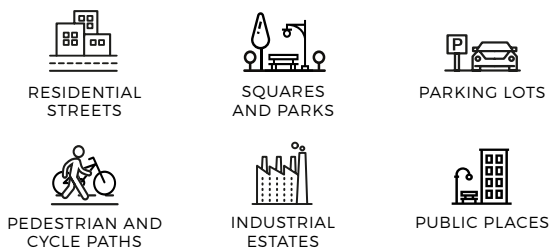
# PRUNUS A3

## — AN EYE FOR DETAIL

The optica shielding in the PRUNUS A3 combines pleasant light with a visual transparency. The optica shielding in the A3 ensures a pleasant glow from the luminaire with good even distribution. This avoids light pollution and increases pleasantness of the light. As a modular member of the PRUNUS family, the A3 can be supplied with an LED ring in the top cover or mounting flange and all the aluminium components are double coated.



### Application areas



### Characteristics



### OPTIONS



**PRODUCT SPECIFICATIONS**

- Aluminium top cover: coated
- Standard colour: RAL 7016
- Light cover: UV-stabilised polycarbonate, clear
- Lens cover: bowl-shaped optic, clear
- Pole-mounted size: 60 mm
- Mass: ± 6 kg (depends on model)
- Wind surface: ± 0.14 m<sup>2</sup>
- Safety class: I
- Assembly-, installation- and maintenance-friendly
- Voltage: 230/240 V, 50 Hz
- Standard Surge Protection (CM/DM): 8 kV/6 kV
- Standard cable type H05BQ-F (3x1.0 mm<sup>2</sup>)
- CRI: > 70
- Colour temperature neutral white (4000K) or warm white (3000K)
- Expected lifespan 100.000 hours at T environment = 25°C (L96/F10)
- Different lens configurations
- LED2WELL-Core

**OPTIONS**

- Other RAL colour
- Safety class II
- Several dimming options: Dali, Dynadimmer (integrated in driver), 1-10 V
- Constant Lumen Output (CLO)
- Other pre-fitted cable
- Pole-mounted size 76 mm
- LED2WELL-Pro

**RGB LED-RING (optional)**

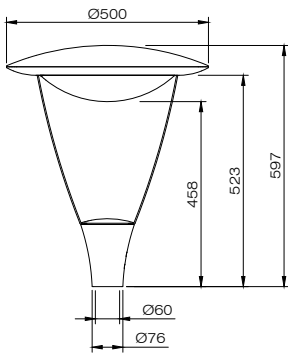
- RGB LED ring top cover silicone (semi-transparent)
- RGB LED ring mounting flange, acrylic (semi-transparent)

- |  |                |  |              |
|--|----------------|--|--------------|
|  | Lavender White |  | Eco Green    |
|  | Sun Yellow     |  | Ocean Blue   |
|  | Scarlet Red    |  | Evening Red  |
|  | Sky Blue       |  | Royal Orange |

Colours may differ from brochure printed colours.

**DIMENSIONS A3**

in mm



**SMART CITY READY (optional)**

Zhaga book 18 connector and screw cap (waterproof, IP66)



Lightronics supplies its luminaires as standard as Easy Light, with five standard dimming schedules (1A, 2A, 3A, 4A or 5A) that can switch capacity and brightness based on pre-set times.



Lightronics offers full system integration with Controlled Solutions. This includes the use of communication modules from brands such as CityTouch, Luminext or TVilight.



As an option, this luminaire can be provided with a Zhaga book 18 connector and is Zhaga-D4i certified. This means that the luminaire can communicate with all sensors and nodes that also dispose of a Zhaga-D4i certificate and is as such suitable for the latest developments in the field of smart lighting and connectivity.



The smart lighting system SmartScan optimises the use of luminaires in your environment. Thanks to wireless communication, there is always sufficient light when required and energy is saved.



**PRUNUS A3 | LED<sup>2</sup>WELL CORE OUR STANDARD LIGHTING SOLUTION**

Number of LEDs	Lumen	3000K		4000K	
		LED-power (W)	System power (W)	LED-power (W)	System power (W)
16	800	5,7	8,0	5,5	7,7
	1050	6,8	9,0	6,3	8,6
	1200	7,5	9,8	7,2	9,5
	1350	8,1	10,5	7,9	10,2
	1500	8,8	11,2	8,5	10,9
	1600	9,3	11,7	9,0	11,4
	1800	10,4	12,8	10,0	12,4
	2000	11,2	13,7	10,6	13,1
	2150	12,4	14,9	11,5	13,9
	2300	13,5	16,1	12,6	15,1
	2500	14,8	17,5	14,2	16,8
	2750	16,6	19,4	15,7	18,5
	3000	18,5	21,4	17,3	20,1
	3240	20,3	23,3	18,9	21,8
	3500	22,1	25,2	20,8	23,8
	3780	24,5	27,7	22,6	25,7
4000	25,6	29,0	24,5	27,7	
4200	27,5	31,0	25,6	29,0	

**PRUNUS A3 | LED<sup>2</sup>WELL PRO OUR ENERGY-EFFICIENT SOLUTION FOR ULTIMATE LIGHTING COMFORT**

Number of LEDs	Lumen	3000K		4000K	
		LED-power (W)	System power (W)	LED-power (W)	System power (W)
32	800	3,6	5,8	3,3	5,5
	1050	5,0	7,3	4,8	7,0
	1200	5,7	8,0	5,5	7,7
	1350	6,5	8,9	6,3	8,6
	1500	7,4	9,8	7,0	9,3
	1600	8,1	10,4	7,6	9,9
	1800	8,9	11,3	8,5	10,9
	2000	10,0	12,4	9,6	12,0
	2150	10,7	13,1	10,2	12,7
	2300	11,3	13,8	11,1	13,6
	2500	12,8	15,4	12,2	14,7
	2750	14,1	16,7	13,5	16,1
	3000	15,2	17,9	14,8	17,5
	3240	18,5	21,5	17,2	20,1
	3500	20,1	23,2	18,9	22,0
	3780	21,9	25,1	20,5	23,7
4000	23,5	26,8	21,9	25,1	
4200	25,0	28,5	23,5	26,8	



# PRUNUS A4

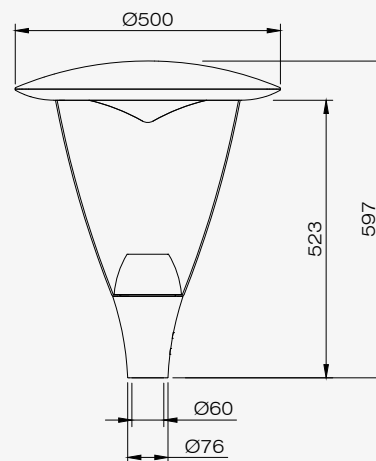
## — AN EYE FOR DETAIL

The light source in the PRUNUS A4 provides indirect, warm light that is distributed by a white reflector. The soft lighting is especially suitable for squares, parks and city centres. The PRUNUS A4 is available as an option in other RAL colours. The PRUNUS A4 is part of the modular PRUNUS family, so you can assign the entire living environment its own identity, while styling it attractively.

### Application areas



### DIMENSIONS PRUNUS A4 in mm



### Characteristics

IP 66

IK 10



**PRODUCT SPECIFICATIONS**

- Aluminium top cover: coated
- Standard colour: RAL 7016
- Light cover: polycarbonate, clear
- Downward light distribution by white reflector
- Upward directed LED light source
- Pole-mounted size: 60 mm
- Mass: ± 6 kg (depends on model)
- Wind surface: ± 0.14 m<sup>2</sup>
- Assembly-, installation- and maintenance-friendly
- Voltage: 230/240 V, 50 Hz
- Safety class: I
- Standard cable type H05BQ-F (3x1.0 mm<sup>2</sup>)
- CRI: > 70
- Colour temperature warm white (3000K)
- Expected lifespan 100.000 hours at T environment = 25°C (L96/F10)

**OPTIONS**

- Other RAL colour
- Safety class II
- Other pre-fitted cable

<b>PRUNUS A4</b>			
		<b>3000K</b>	
<b>Lighting solution</b>	<b>Lumen</b>	<b>LED-power (W)</b>	<b>System power (W)</b>
Indirect LED	1700	12,5	14,0