



WVK

IMPACT-RESISTANT WALL AND CEILING LUMINAIRE

The WVK surface-mount luminaire is ideal for residential construction and satisfies circularity requirements with our LED retrofit solution. WVK is an energy-efficient solution for places where directional light is required, such as storage rooms and near front and back doors. This wall luminaire can optionally be equipped with a motion sensor, twilight switch or emergency lighting function. The WVK, one of the luminaires in the Hogro series, is dust-tight and waterproof (IP65).

HOGRO BY LIGHTRONICS



Applications



GALLERIES



FRONT DOORS



STORAGES

Features



IP 65

> IK 10



OPTIONS



PRODUCT SPECIFICATIONS

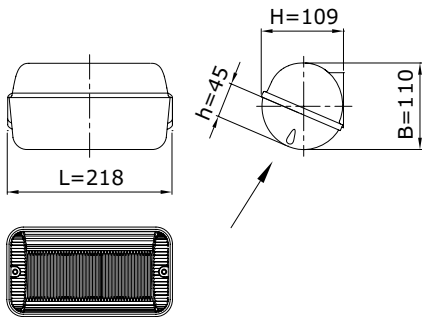
- Housing made of impactproof, flame-retardant, UV-stabilised polycarbonate
- Standard colour RAL 9005 or RAL 9010
- Light cover made of polycarbonate, opal or frosted
- Dimensions (l x w x h): 218mm x 110mm x 109mm
- Cable entry at the back
- Safety class I
- Voltage: 230/240 V, 50 Hz
- Assembly-, installation- and maintenance friendly
- CRI > 80
- Colour temperature warm white (3000K) or neutral white (4000K)
- Expected lifespan 100.000 hours at T-ambient = 25°C (L80/F10)

OPTIONS

- Seperate cover opal
- Seperate cover frosted
- 24 Volt DC based on 1 LEDstrip
- Emergency/continuous lighting, incl. ATF (1 hour)
- Safety class II
- Twilight switch
- Comfort Light

DIMENSIONS WVK

in mm



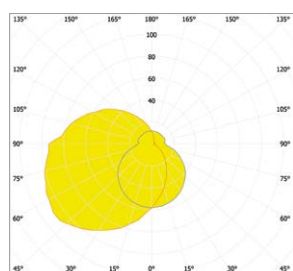
Luminaires in the Easy Light version have a fixed luminous flux and can optionally be equipped with an integrated twilight switch so that the luminaire reacts automatically to light and dark. The sensitivity of the sensor can be adjusted using dip switches.



Comfort Light has an internal motion detector and twilight switch. The automatic dimming function gradually reduces the light intensity of the luminaire (100 - 80 -50 -20% or optionally to 0%) and prevents darkness adjustment. NB: To 0% is a basement setting in which the lighting is always switched on by movement (i.e. also during the day).

WVK EASY LIGHT		
Lumen	LED power (W)	System power (W)
280	1,6	2,6
440	2,5	3,7
560	3,2	4,5

POLAR DIAGRAM WVK | OPAL



POLAR DIAGRAM WVK | FROSTED

