

WALL AND CEILING LIGHTING - IMPACTPROOF

Surface-mounted luminaire with directed light beam



* Option

WVK

Application areas



Storages



Front doors



Back doors

Housing: impactproof, flame-retardant, UV-stabilised polycarbonate
Light source: LED, TC-S

IP 65

> IK 10



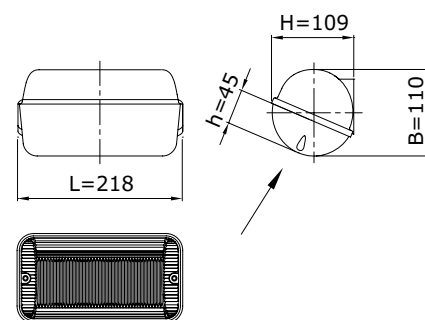
* UPGRADE KIT



* RUNNING

* Option

Dimensions in mm:





Technical specifications

LIGHT SOURCE LED	LUMEN OUTPUT (LM)	EXPECTED LIFESPAN HR
LED	280	100,000
LED	440	100,000
LED	560	100,000

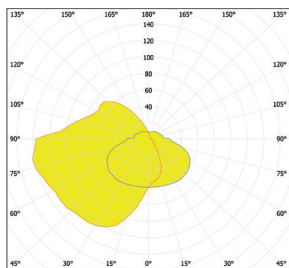
LIGHT SOURCE OTHER	POWER (W)
TC-S	1 x 7
TC-S	1 x 9

OPTIONS	LED	OTHER
Seperate cover opal	✓	✓
24 Volt DC based on 1 LEDstrip	✓	
Emergency/continuous lighting, incl. ATF (1 hour)	✓	
Colour temperature warm white (3000K)	✓	✓
Other RAL colour	✓	✓
Safety class II	✓	✓
Cable entry at side	✓	✓

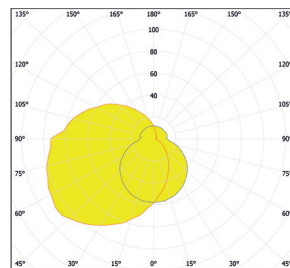
Product specifications

- light cover: polycarbonate, clear prismatic, opal or frosted
- aluminium mirror reflector (not for LED)
- unit plate: plastic (not for LED)
- cable entry: at the back
- assembly-, installation- and maintenance-friendly
- voltage: 230/240 V, 50 Hz
- CRI: > 80
- colour temperature neutral white (4000K)
- lifespan LED (driver + LED) 100,000 Hrs at T-ambient is 25°C (L70/F10)

WVK Frosted LED



WVK Opal LED



Visit our website for the most up to date information:

www.lightronics.eu

