



# TPS

## IMPACT-RESISTANT WALL LUMINAIRE

The TPS surface-mount luminaire is ideal for residential construction and satisfies circularity requirements with our LED retrofit solution. The robust TPS provides evenly distributed light and increases the feeling of social safety. The wall and ceiling luminaire features the latest LED technology and can be equipped with a motion sensor, twilight switch or emergency lighting function. The TPS, one of the luminaires in the Hogro series, is dust-tight and waterproof (IP65). It can be combined with the TPK, TPN or TPB to create a consistent visual identity for the lighting in a building complex.

## HOGRO BY LIGHTRONICS



### Applications



PORCHES



STORAGES



FRONT DOORS



GALLERIES



BACK PATHS

### Features



IP 65

≥3 x IK 10



### OPTIONS



**PRODUCT SPECIFICATIONS**

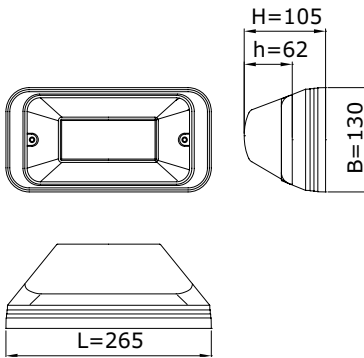
- Housing made of impactproof, flame-retardant, UV-stabilised polycarbonate
- Standard colour RAL 9010, RAL 9005 or RAL 7016
- Light cover made of polycarbonate, opal or frosted
- Basic unit for TPS and TPK are identical, top covers are interchangeable
- Dimensions (h x w x d): 265mm x 130mm x 105mm
- Cable entry at the back
- Safety class I
- Voltage: 230/240 V, 50 Hz
- Assembly-, installation- and maintenance friendly
- CRI > 80
- Colour temperature warm white (3000K) or neutral white (4000K)
- Expected lifespan 100.000 hours at T-ambient = 25°C (L80/F10)

**OPTIONS**

- Seperate cover frosted
- Seperate cover opal
- Dimming 1-10 V
- Safety class II
- Emergency/continious lighting, incl. ATF (1 hour)
- 24 Volt DC based on 1 LED strip
- Twilight switch
- Comfort Light

**DIMENSIONS TPS**

in mm



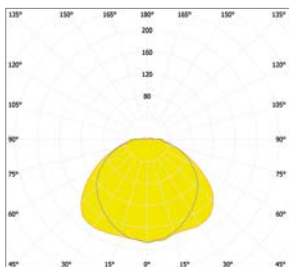
Luminaires in the Easy Light version have a fixed luminous flux and can optionally be equipped with an integrated twilight switch so that the luminaire reacts automatically to light and dark. The sensitivity of the sensor can be adjusted using dip switches.



Comfort Light has an internal motion detector and twilight switch. The automatic dimming function gradually reduces the light intensity of the luminaire (100 - 80 -50 -20% or optionally to 0%) and prevents darkness adjustment. NB: To 0% is a basement setting in which the lighting is always switched on by movement (i.e. also during the day).

| TPS   EASY LIGHT |               |                  |
|------------------|---------------|------------------|
| Lumen            | LED power (W) | System power (W) |
| 280              | 1,6           | 2,6              |
| 440              | 2,5           | 3,7              |
| 560              | 3,2           | 4,5              |

**POLAR DIAGRAM TPS | FROSTED**



**POLAR DIAGRAM TPS | OPAL**

