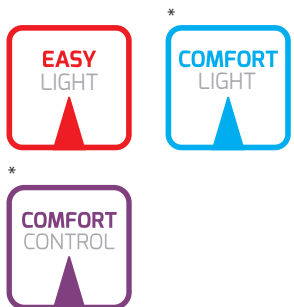


WALL AND CEILING LIGHTING - IMPACTPROOF

Surface-mounted luminaire with a contemporary design



\* Option

TPS

Application areas



Porches



Storages



Front doors



Galleries



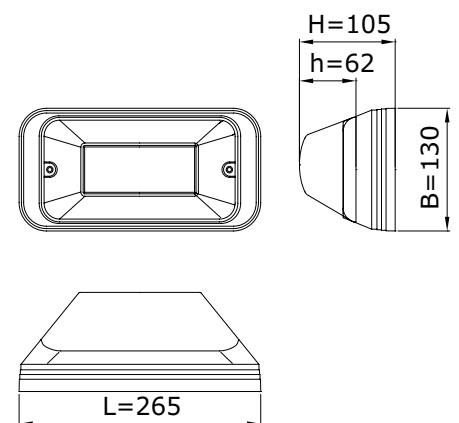
Back paths

Housing: impactproof, flame-retardant, UV-stabilised polycarbonate in white RAL 9010, black RAL 9005 or anthracite RAL 7016  
Light source: LED, TC-S



\* Option

Dimensions in mm:





# Technical specifications

LIGHT SOURCE LED	LUMEN OUTPUT (LM)	EXPECTED LIFESPAN HR
LED	280	100,000
LED	440	100,000
LED	560	100,000

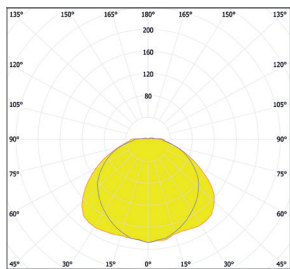
LIGHT SOURCE OTHER	POWER (W)
T5	1 x 8
TC-S	1 x 9
TC-S	1 x 11

OPTIONS	LED	OTHER
Seperate cover frosted	✓	✓
Seperate cover opal	✓	✓
Dimmable 1-10V	✓	✓
Emergency/continuous lighting, incl. ATF (1 hour)	✓	
24 Volt DC based on 1 LED strip	✓	
Colour temperature warm white (3000K)	✓	✓
Cable entry at side	✓	✓
Other RAL colour	✓	✓
Safety class II	✓	✓

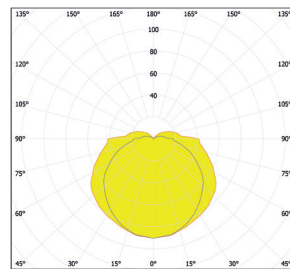
### Product specifications

- light cover: polycarbonate, clear prismatic, opal or frosted
- basic unit for TPS and TPK are identical, top covers are interchangeable
- aluminium mirror reflector (not for LED)
- unit plate: plastic (not for LED)
- cable entry: at the back
- assembly-, installation- and maintenance-friendly
- voltage: 230 / 240 V, 50 Hz
- CRI: > 80
- colour temperature neutral white (4000K)
- lifespan LED (driver + LED) 100,000 Hrs at T-ambient is 25 °C (L70/F10)

TPS Frosted LED



TPS Opal LED



Visit our website for the most up to date information:

[www.lightronics.eu](http://www.lightronics.eu)

