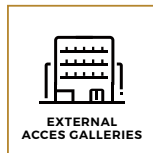
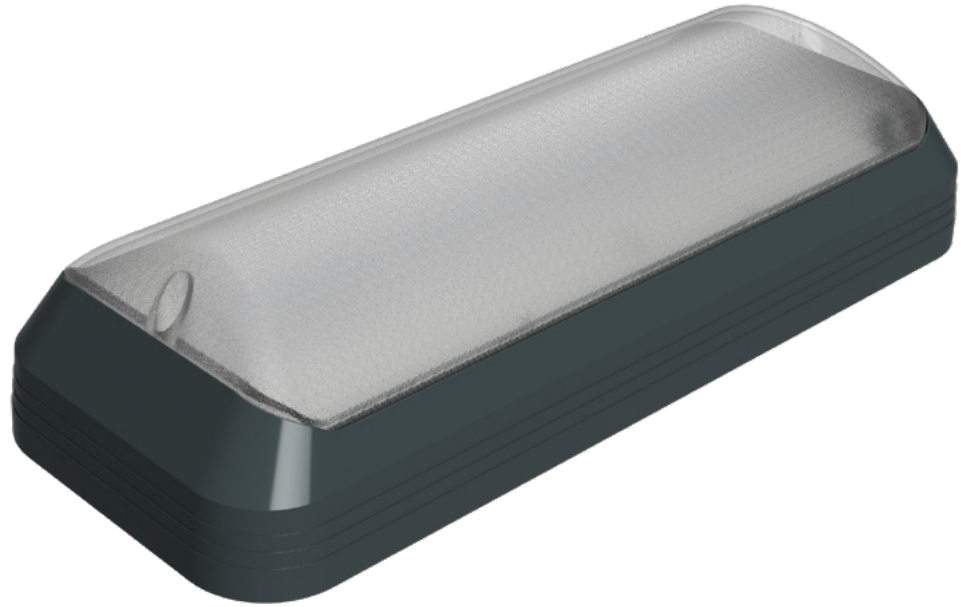


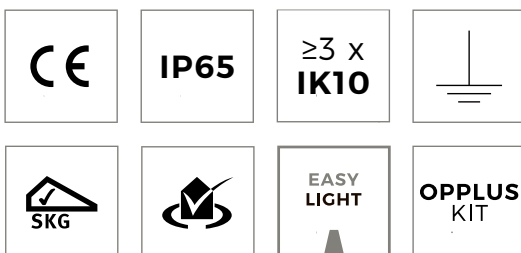
# TPN

## HOGRO



The surface-mounted luminaire TPN is perfect for residential projects. The multifunctional luminaire has a high light yield and can be equipped with a motion sensor, twilight switch and emergency lighting. The TPN can also serve as escape route signage thanks to various pictograms. The TPN, from the HOGRO series, is impact resistant and water-resistant (IP65).

### STANDARD



### OPTION





## BENEFITS

- ▶ Multifunctional surface-mounted luminaire
- ▶ High light yield, uniform lighting scene
- ▶ Can be upgraded with a motion sensor and/or a twilight sensor or Smartscan
- ▶ Suitable as emergency lighting
- ▶ Easy to upgrade with the Lightronics Opplus kit
- ▶ Easy to mount and install

## SMART LIGHTING

Comfort Light  
SmartScan



Want to speak to a specialist?  
**Click on / scan** the QR-code!

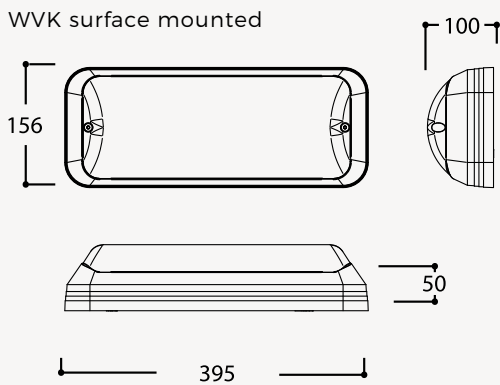
**PRODUCT SPECIFICATIONS**

- ▶ Housing made of impactproof, flame-retardant, UV-stabilised polycarbonate
- ▶ Standard colour RAL 9010, RAL 9005 or RAL 7016
- ▶ Light cover made of polycarbonate, opal or frosted
- ▶ Cable entry at the back
- ▶ Safety class I
- ▶ Voltage: 230/240 V, 50 Hz
- ▶ CRI > 80
- ▶ Colour temperature warm white (3,000K) or neutral white (4,000K)
- ▶ Expected lifespan 100,000 hours at T-ambient = 25 °C (L80/F10)
- ▶ Lumen range: 440 - 2,000 lumens
- ▶ Assembly-, installation- and maintenance friendly

**OPTIONS**

- ▶ Seperate cover frosted
- ▶ Seperate cover opal
- ▶ Seperate raised cover for double-sided pictogram version, clear or opal
- ▶ Square mounting plate for emergency exit-indications
- ▶ Cable entry at side
- ▶ DALI-2
- ▶ Safety class II
- ▶ Emergency/continious lighting, incl. ATF (1 hour)
- ▶ 24 Volt DC based on 1 LED strip
- ▶ Twilight switch
- ▶ Comfort Light
- ▶ SmartScan

**DIMENSIONS IN MM**



**DIMENSIONS AND MOUNTING**

L x W x H in mm      395 x 156 x 100 mm

Mounting options      Wall and ceiling mounting



Luminaires in the Easy Light range can be programmed for various luminous flux. They can also be equipped, as an option, with a twilight switch so that the luminaire automatically responds to light and darkness. The sensitivity of the sensor can be set with DIP switches.



Comfort Light has an internal motion detector and twilight switch. Automatic dysfunctionality incrementally reduces the light intensity of the luminaire (100 - 50 - 25 - 12,5% or optionally to 0%) and prevents dark adaptation.



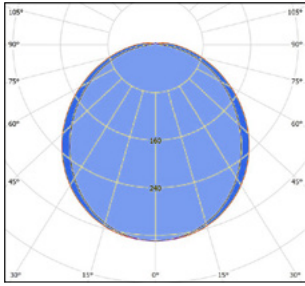
With the smart lighting control system SmartScan, luminaires can communicate with each other and are programmable for daylight and motion detection. The result: always sufficient light when required, lower energy cost and less maintenance. With SmartScan, up to 85% can be saved in comparison to conventional lighting.



The TPN lighting solutions

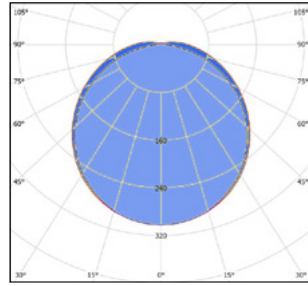
Lumen	CRI > 80	
	3000K System capacity (W)	4000K System capacity (W)
440	3.4	3.4
560	4.1	4.1
840	5.7	5.7
1050	7.1	7.1
2000	13.6	13.6

TPN



**FROSTED**

TPN



**OPAL**