



SGR

— A BASIS FOR A NOSTALGIC LOOK

The SGR lends public spaces a classical appearance. The SGR has an ice motif light cover. An opal light cover is also available as an option. The SGR combines a nostalgic look with the advantages of modern technology. New LED lighting solutions can be integrated simply and quickly in this luminaire. Making the SGR a sustainable and future-proof solution for your environment. The authentic appearance is given extra emphasis by deploying the SGR in combination with the ANTIEKO post or wall bracket with an authentic look.



Application areas



RESIDENTIAL
AREAS



CITY CENTERS



HOLIDAY PARKS



SQUARES AND
PARKS

Characteristics



IP 65

IK 09

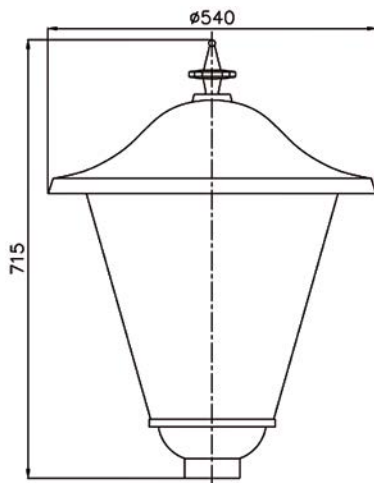


PRODUCT SPECIFICATIONS

- UV-stabilised polycarbonate top cover, coated black (RAL9005)
- Light cover: UV-stabilised polycarbonate, ice-structured finish
- UniCliq-unit
- Mass: ± 10 kg (depends on model)
- Wind surface: ± 0.18 m²
- Pole-mounted size: 60 mm
- Safety class: I
- Assembly-, installation- and maintenance-friendly
- Voltage: 230 / 240 V, 50 Hz
- CRI: > 70
- Colour temperature neutral white (4000K), warm white (3000K) or extra warm white (2700K)
- Expected lifespan 100.000 hours at T environment = 25°C (L96/F10)

DIMENSIONS SGR

in mm



OPTIONS

- Opal light cover
- Pole-mounted size 76 mm
- Other RAL colour
- Antieko post
- Antieko post top attachment
- Antieko wall bracket
- Dimmable
- Safety class II
- Constant Lumen Output (CLO)

UNICLIQ LED UNIT

The SGR can be easily equipped with the latest lighting technology thanks to the Uni-Cliq unit

SMART CITY READY (optional)

Zhaga book 18 connector and screw cap (waterproof, IP66)

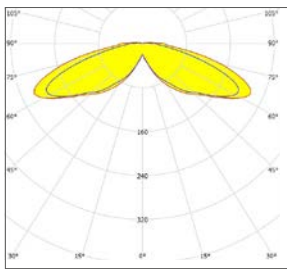


Lightronics supplies its luminaires as standard as Easy Light, with five standard dimming schedules (1A, 2A, 3A, 4A or 5A) that can switch capacity and brightness based on pre-set times.

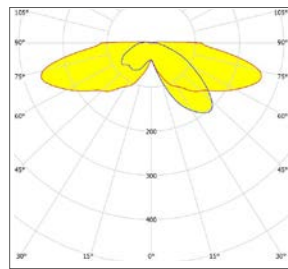
SGR | LED²WELL CORE OUR STANDARD LIGHTING SOLUTION

Number of LEDs	Lumen	2700K		3000K		4000K	
		LED-power(W)	System power(W)	LED-power(W)	System power(W)	LED-power(W)	System power(W)
16	800	5,9	8,1	5,7	8,0	5,5	7,7
	1050	7,7	10,0	6,8	9,0	6,3	8,6
	1200	8,4	10,7	7,5	9,8	7,2	9,5
	1350	9,3	11,7	8,1	10,5	7,9	10,2
	1500	10,2	12,6	8,8	11,2	8,5	10,9
	1600	10,6	13,1	9,3	11,7	9,0	11,4
	1800	11,7	14,2	10,4	12,8	10,0	12,4
	2000	13,7	16,3	11,2	13,7	10,6	13,1
	2150	14,8	17,5	12,4	14,9	11,5	13,9
	2300	16,0	18,7	13,5	16,1	12,6	15,1
	2500	18,0	20,9	14,8	17,5	14,2	16,8
	2750	19,8	22,8	16,6	19,4	15,7	18,5
	3000	21,9	25,0	18,5	21,4	17,3	20,1

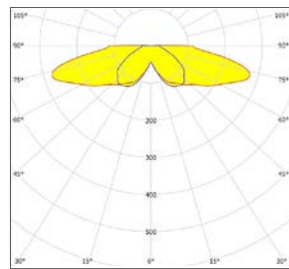
CODE 6



CODE 7



CODE 8



CODE 10

