

STREET AND SITE LIGHTING - POLE TOP LUMINAIRE

Contemporary and decorative



PKA

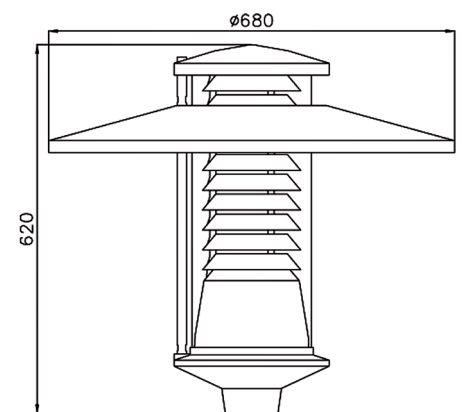
Application areas

- Residential areas
- City centres
- Shopping malls
- Parks

Top cover: UV-stabilised polycarbonate, batch-dyed  
 Lid: aluminium, double coated  
 Light cover: UV-stabilised polycarbonate  
 Louvres: polycarbonate, frosted (LED) or opal (other light sources)  
 Light source: LED, CDO-TT/CDO-ET, HSE-E/HST, TC-L

- IP 66
- IK 10
- CE

Dimensions in mm:





# Technical specifications

LED	Lumen LED	LED (W)	System (W)
16	2670	15	17
16	3330	18	20
16	4660	25	27
16	5130	27	30
16	5670	30	33

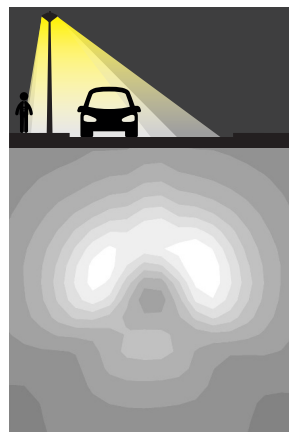
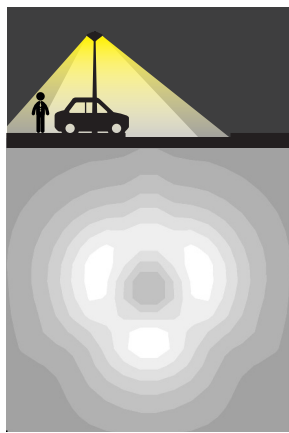
LIGHT SOURCE OTHER	POWER (W)
CDO-TT/CDO-ET	1 x 70
HSE-E/HST	1 x 50
HSE-E/HST	1 x 70
TC-L	1 or 2 x 24

### Product specifications

- light cover polycarbonate, clear
- polycarbonate top cover, batch-dyed black (RAL 9005) and aluminium coated lid, black (RAL 9005)
- pole-mounted size: 60 mm
- mass: ± 8 kg (depends on model)
- wind surface: ± 0.15 m<sup>2</sup>
- safety class: I
- assembly-, installation- and maintenance-friendly
- voltage: 230/240 V, 50 Hz
- CRI: > 80
- expected lifespan 100,000 Hrs (L80 / F10)

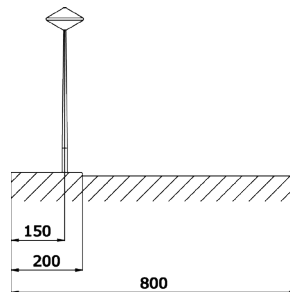
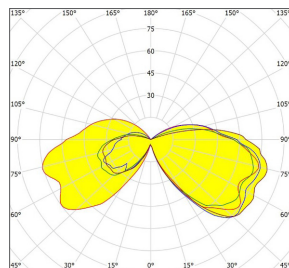
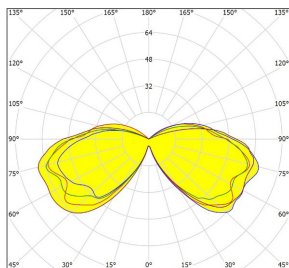
### Options

- top cover inside white (RAL 9010)
- comes without top cover
- pole mounted size 76 mm
- other RAL colour
- conical or tapered post, excl. junction box
- colour temperature warm white (3000K)
- Constant Lumen Output (CLO)
- dimmable
- dynadimmer
- safety class: II



LED - Circular distribution

LED - Asymmetrical



Visit our website for the most up to date information

[www.lightronics.eu](http://www.lightronics.eu)

