



# OGR

## FULL OF CHARACTER AND AUTHENTICITY

The OGR lends public spaces a classical appearance and is available in different lens configurations. This facilitates the provision of situation-appropriate lighting and optimum light output is guaranteed. The OGR combines a nostalgic look with the advantages of modern technology. New LED lighting solutions can be integrated simply and quickly in this luminaire. Making the OGR a sustainable and future-proof solution for your environment. The desired atmosphere can be enhanced through the deployment of the OGR on an ANTIEKO post or authentically styled wall bracket.



### Application areas



CITY CENTERS



RESIDENTIAL  
AREAS



CHURCH SQUARES



PARKS

### Characteristics



IP 65

IK 09

CE

## PRODUCT SPECIFICATIONS

- Aluminium top cover, coated green (RAL 6009)
- Housing: sink plated steel, coated green (RAL 6009)
- With ladder supports
- Light cover UV-stabilised polycarbonate, clear or ice-structured
- UniCliq unit
- Pole-mounted size 60 mm
- Mass:  $\pm 15$  kg (depends on model)
- Wind surface:  $\pm 0.22$  m<sup>2</sup>
- Safety class: I
- Assembly-, installation- and maintenance-friendly
- Voltage: 230 / 240 V, 50 Hz
- CRI: > 70
- Colour temperature neutral white (4000K), warm white (3000K) or extra warm white (2700K)
- Expected lifespan 100.000 hours at T environment = 25° (L96/F10)
- Different lens configurations

## OPTIONS

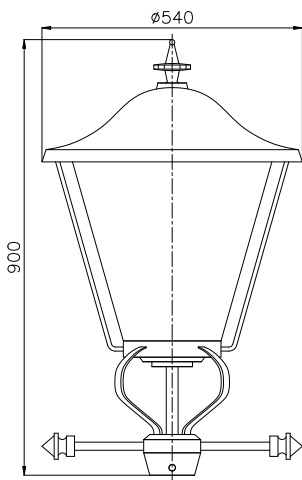
- Copper top cap and chimney
- Opal light cover
- Optical lens for more light comfort
- Without ladder supports
- Pole-mounted size 76 mm with or without ladder supports
- Other RAL colour
- Antieko post
- Antieko post top attachment
- Antieko wall bracket
- Dimmable
- Safety class: II
- Constant Lumen Output (CLO)

## UNICLIQ LED UNIT

The OGR can be easily equipped with the latest lighting technology thanks to the UniCliq unit.

## DIMENSIONS OGR

in mm



## WITH OPTICAL LENS (optional)



## WITHOUT LADDER SUPPORTS (optional)

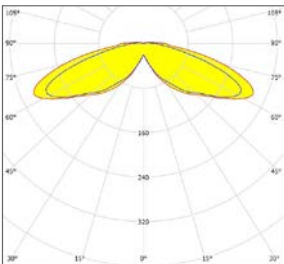


Lightronics supplies its luminaires as standard as Easy Light, with five standard dimming schedules (1A, 2A, 3A, 4A or 5A) that can switch capacity and brightness based on pre-set times.

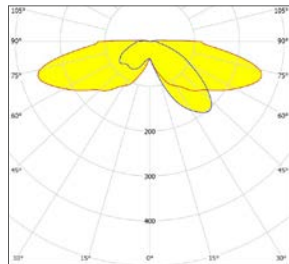
OGR | LED<sup>2</sup>WELL CORE OUR STANDARD LIGHTING SOLUTION

		2700K		3000K		4000K	
Number of LEDs	Lumen	LED-power (W)	System power (W)	LED-power (W)	System power (W)	LED-power (W)	System power (W)
16	800	5,9	8,1	5,7	8,0	5,5	7,7
	1050	7,7	10,0	6,8	9,0	6,3	8,6
	1200	8,4	10,7	7,5	9,8	7,2	9,5
	1350	9,3	11,7	8,1	10,5	7,9	10,2
	1500	10,2	12,6	8,8	11,2	8,5	10,9
	1600	10,6	13,1	9,3	11,7	9,0	11,4
	1800	11,7	14,2	10,4	12,8	10,0	12,4
	2000	13,7	16,3	11,2	13,7	10,6	13,1
	2150	14,8	17,5	12,4	14,9	11,5	13,9
	2300	16,0	18,7	13,5	16,1	12,6	15,1
	2500	18,0	20,9	14,8	17,5	14,2	16,8
	2750	19,8	22,8	16,6	19,4	15,7	18,5
3000	21,9	25,0	18,5	21,4	17,3	20,1	

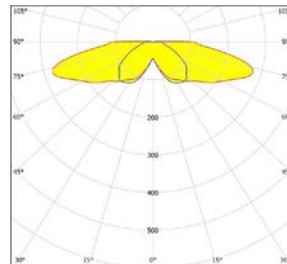
**CODE 6**



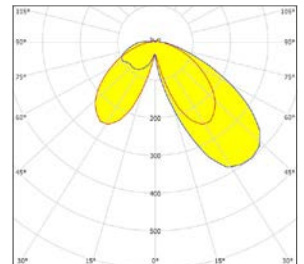
**CODE 7**



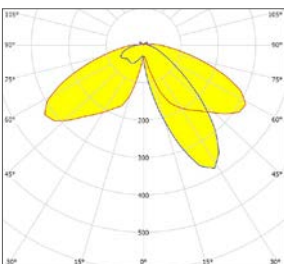
**CODE 8**



**CODE 10**



**CODE 14**



**CODE 15**

