



LUZ

— **ATTRACTIVE IN PUBLIC SPACES
WITHOUT LIGHT NUISANCE**

The LUZ luminaire is equipped with optica shielding. This minimises the light pollution and light nuisance, while retaining good light output. The LUZ is available in different lens configurations. So that there is always enough light when and where it is needed. The LUZ is sustainable, functional and future proof. The LUZ is also UniCliq ready: a unique system that facilitates the simple and quick integration of the most up-to-date LED light solutions in existing luminaires.



Application areas



Characteristics



OPTIONS

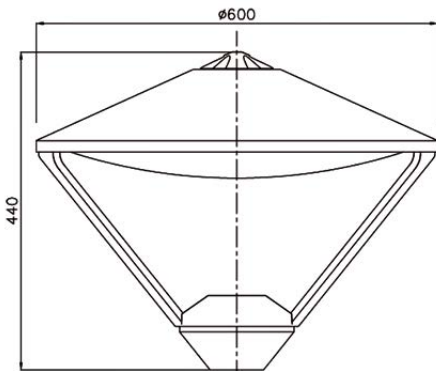


PRODUCT SPECIFICATIONS

- Top cover: aluminium, coated
- Light cover: UV stabilized polycarbonate, clear
- UniCliq-unit
- Pole-mounted size: 60 mm
- Mass: $\pm 10,5$ kg (depends on model)
- Wind surface: $\pm 0.14\text{m}^2$
- Safety class: I
- Assembly-, installation- and maintenance-friendly
- Voltage: 230 / 240 V, 50 Hz
- CRI: > 70
- Colour temperature neutral white (4000K) or warm white (3000K)
- Expected lifespan 100.000 hours at T environment = 25°C (L96/F10)
- Different lens configurations
- LED2WELL-Core

DIMENSIONS LUZ

in mm



OPTIONS

- Captive top cover
- Pole-mounted size 76 mm
- Other RAL colour
- Safety class: II
- Dali
- Constant Lumen Output (CLO)
- LED2WELL-Pro

UNICLIQ LED UNIT

The LUZ can be easily equipped with the latest lighting technology thanks to the UniCliq unit.

SMART CITY READY (optional)

Zhaga book 18 connector and screw cap (waterproof, IP66)



Lightronics supplies its luminaires as standard as Easy Light, with five standard dimming schedules (1A, 2A, 3A, 4A or 5A) that can switch capacity and brightness based on pre-set times.



Lightronics offers full system integration with Controlled Solutions. This includes the use of communication modules from brands such as CityTouch, Luminext or TVilight.

LUZ | LED²WELL CORE OUR STANDARD LIGHTING SOLUTION

		3000K		4000K	
Number of LEDs	Lumen	LED-power (W)	System power (W)	LED-power (W)	System power (W)
16	800	5,7	8,0	5,5	7,7
	1050	6,8	9,0	6,3	8,6
	1200	7,5	9,8	7,2	9,5
	1350	8,1	10,5	7,9	10,2
	1500	8,8	11,2	8,5	10,9
	1600	9,3	11,7	9,0	11,4
	1800	10,4	12,8	10,0	12,4
	2000	11,2	13,7	10,6	13,1
	2150	12,4	14,9	11,5	13,9
	2300	13,5	16,1	12,6	15,1
	2500	14,8	17,5	14,2	16,8
	2750	16,6	19,4	15,7	18,5
	3000	18,5	21,4	17,3	20,1

LUZ | LED²WELL PRO OUR ENERGY-EFFICIENT SOLUTION FOR ULTIMATE LIGHTING COMFORT

		3000K		4000K	
Number of LEDs	Lumen	LED-power (W)	System power (W)	LED-power (W)	System power (W)
32	800	3,6	5,8	3,3	5,5
	1050	5,0	7,3	4,8	7,0
	1200	5,7	8,0	5,5	7,7
	1350	6,5	8,9	6,3	8,6
	1500	7,4	9,8	7,0	9,3
	1600	8,1	10,4	7,6	10,0
	1800	8,9	11,3	8,5	10,9
	2000	10,0	12,4	9,6	12,0
	2150	10,7	13,1	10,2	12,7
	2300	11,3	13,8	11,1	13,6
	2500	12,8	15,4	12,2	14,7
	2750	14,1	16,7	13,5	16,1
	3000	15,2	17,9	14,8	17,5