



KFK

— INCREASED SOCIAL SAFETY

The KFK has a polycarbonate light cover with an ice-structure that prevents light nuisance. The KFK is available in different lens configurations. This facilitates the provision of situation-appropriate lighting and guarantees optimum light output. The KFK is supplied as standard with a black or grey hood and can be supplied in other RAL colours as an option. The KFK is future-proof. New LED lighting solutions can be integrated simply and quickly in this luminaire. Making the KFK a sustainable, functional and future-proof



Application areas



Characteristics



OPTIONS



PRODUCT SPECIFICATIONS

- UV stabilized polycarbonate top cover, batch-dyed black (RAL9005) or grey (RAL 7032)
- Light cover: UV stabilized polycarbonate, ice-structured
- UniCliq-unit
- Pole-mounted size: 60 mm
- Mass: ± 8 kg (depends on model)
- Wind surface: $\pm 0.13\text{m}^2$
- Safety class: I
- Assembly-, installation- and maintenance-friendly
- Voltage: 230 / 240 V, 50 Hz
- CRI: > 70
- Colour temperature neutral white (4000K) or warm white (3000K)
- Expected lifespan 100.000 hours at T environment = 25°C (L96/F10)
- Different lens configurations

OPTIONS

- Other RAL colour
- Pole-mounted size 76 mm
- Dali
- Constant Lumen Output (CLO)
- Safety class: II

UNICLIQ LED UNIT

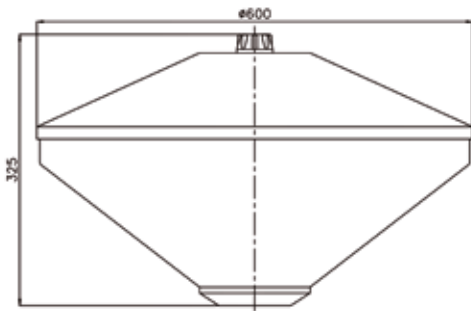
The KFK can be easily equipped with the latest lighting technology thanks to the UniCliq unit.

SMART CITY READY (optional)

Zhaga book 18 connector and screw cap (waterproof, IP66)

DIMENSIONS KFK

in mm



Lightronics supplies its luminaires as standard as Easy Light, with five standard dimming schedules (1A, 2A, 3A, 4A or 5A) that can switch capacity and brightness based on pre-set times.



Lightronics offers full system integration with Controlled Solutions. This includes the use of communication modules from brands such as CityTouch, Luminext, TVilight or Remoticom.

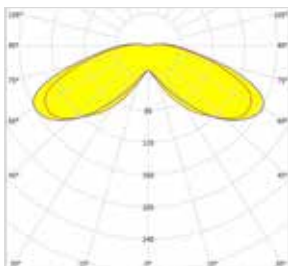
KFK | LED²WELL CORE OUR STANDARD LIGHTING SOLUTION

Number of LEDs	Lumen	3000K		4000K	
		LED-power (W)	System power (W)	LED-power (W)	System power (W)
16	800	5,7	8,0	5,5	7,7
	1050	6,8	9,0	6,3	8,6
	1200	7,5	9,8	7,2	9,5
	1350	8,1	10,5	7,9	10,2
	1500	8,8	11,2	8,5	10,9
	1600	9,3	11,7	9,0	11,4
	1800	10,4	12,8	10,0	12,4
	2000	11,2	13,7	10,6	13,1
	2150	12,4	14,9	11,5	13,9
	2300	13,5	16,1	12,6	15,1
	2500	14,8	17,5	14,2	16,8
	2750	16,6	19,4	15,7	18,5
	3000	18,5	21,4	17,3	20,1

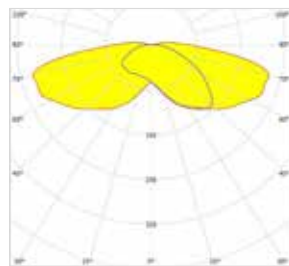
LED - CODE 7 - 4000K - 1600 LM - 11,4 W - (11,7 W BY 3000K)

Eav / Uh	Profile	Post height	Post distance
3,0 lux / 0,46	6 meter + 1 meter sidewalk	4 meter	25 meter

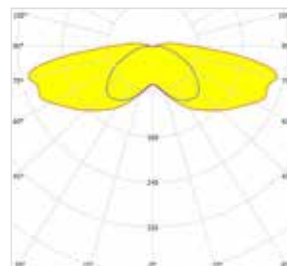
CODE 6



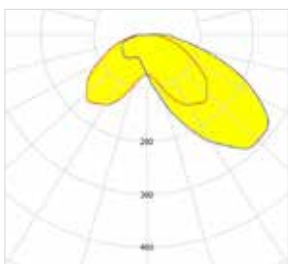
CODE 7



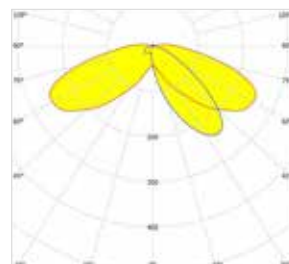
CODE 8



CODE 10



CODE 14



CODE 15

