

STREET AND SITE LIGHTING

Striking and distinctive



GAM

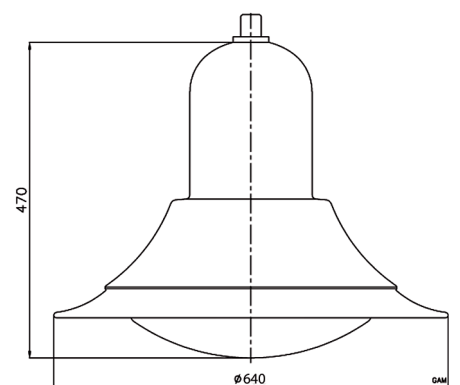
Application areas

- City centres
- Plazas
- Shopping malls
- Residential areas

Top cover: aluminium, coated  
 Light cover: UV-stabilised polycarbonate  
 Light source: LED, TC-L, TC-TEL, HSE-I, HST, HSE-E/HST

- IP 65
- IK 10
- CE

Dimensions in mm:



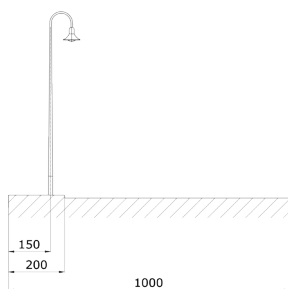
# Technical specifications



LED	Lumen LED	LED (W)	System (W)
16	1200	6.9	9.1
16	1500	8.8	11
16	1600	9.7	11.9
16	1800	11.1	13.2
16	2000	11.9	14
16	2150	12.8	14.9
16	2300	13.4	15.5
16	2500	14.8	16.9
16	2750	16.3	18.4
16	3000	17.9	20
32	3240	19	21.4
32	3500	20.5	22.9
32	3780	22.3	25
32	4000	23.4	26.3
32	4320	26.8	30.2
32	4860	30.3	34

LIGHT SOURCE OTHER	POWER (W)
TC-L	1 or 2 x 18
TC-L	1 or 2 x 24
TC-TEL	1 x 32
HSE-I	1 x 50
HSE-I	1 x 70
HSE-I	1 x 100
HST	1 x 50
HST	1 x 70
HST	1 x 100
HSE-E/HST	1 x 150
Fitting	E27

HELMSPIEGEL HSE-I 100 W	
Egem / Uh	3 lux / 0.2 Uh
Profile width	6 meter + 2 meter sidewalk
Post height	6 meter
Post distance	23 meter



## Product specifications

- light cover: clear polycarbonate lens, with or without leather structure
- aluminium top cover, black (RAL9005)
- extension 3/4" external
- mass: ± 10 kg (depends on model)
- wind surface: ± 0.14 m<sup>2</sup>
- safety class: I
- assembly-, installation- and maintenance-friendly
- voltage: 230/240 V, 50 Hz
- CRI: > 70
- colour temperature neutral white (4000K)
- expected lifespan 100,000 Hrs (L80/F10)

## Options

- other RAL colour
- arc-shaped post
- arched extension
- connection: 1/2" external
- dimmable
- safety class: II
- various lens configurations (only for LED)

Visit our website for the most up to date information

[www.lightronics.eu](http://www.lightronics.eu)

