

EXTREMELY IMPACTPROOF LIGHTING - INDUSTRIAL LUMINAIRE



EX-STEILDACHLEUCHE

Application areas



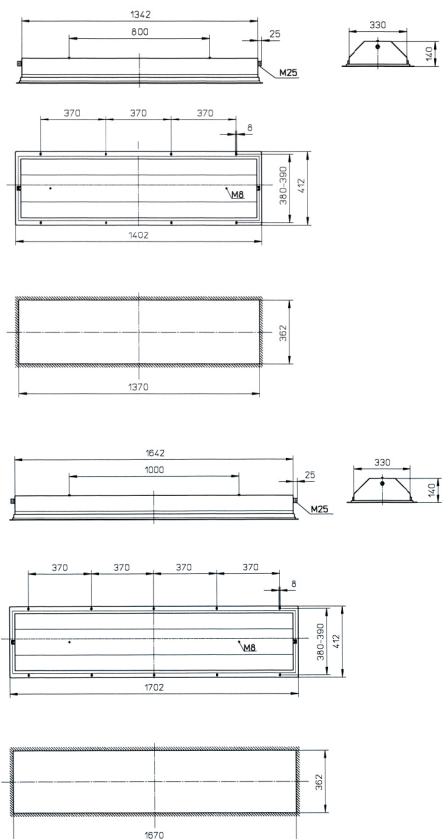
Light cover: tempered glass (5 mm)

Housing: steel, coated

Light source: T8



Dimensions in mm:

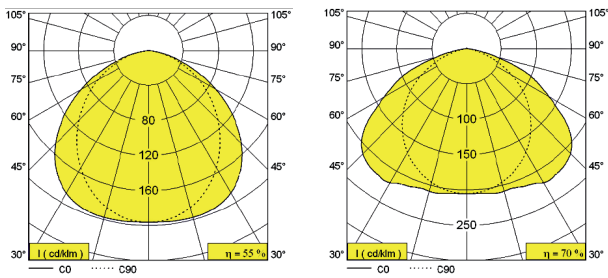




Technical specifications

WATT	WITHOUT TW *, WITHOUT SWITCH	WITHOUT TW *, WITH SWITCH	WITH TW *, WITHOUT SWITCH	WITH TW *, WITH SWITCH
2 x 36	✓	✓	✓	✓
2 x 58	✓	✓	✓	✓
3 x 36	✓	✓	✓	✓
3 x 58	✓	✓	✓	✓
4 x 36	✓	✓	✓	✓
4 x 58	✓	✓	✓	✓

* TW = through wiring



Product specifications

- light cover tempered glass (5 mm)
- steel, coated housing (RAL9010)
- E-VSA
- explosion protection class: II 2 G / Ex ed / II C
T4 for Zone 1, 2 (Gas) II 2 DT80 °C Zone 21,
22 (dust) only for 36 and 58 Watt
- temperature class: T4
- TC -20 °C till +40 °C
- assembly-, installation- and maintenance-friendly
- voltage: 220/240 V, 50/60 Hz

Options

- several versions and settings possible
- eyebolts kit M8
- plafond rail-kit
- spare parts

Visit our website for the most up to date information:

www.lightronics.eu

