

EXTREMELY IMPACTPROOF LIGHTING - INDUSTRIAL LUMINAIRE



EX-POLYESTERLEUCHE

Application areas



Chemical industry



Refineries

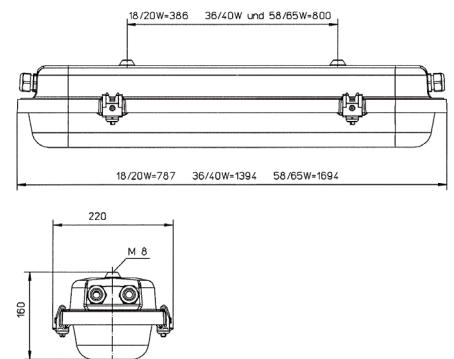


Laboratoria

Light cover: impactproof polycarbonate  
 Housing: fiberglass reinforced polyester  
 Light source: T8



Dimensions in mm:





# Technical specifications

WATT	WITHOUT TW *, WITHOUT SWITCH	WITHOUT TW *, WITH SWITCH	WITH TW *, WITHOUT SWITCH	WITH TW *, WITH SWITCH
1 x 36	✓	✓	✓	✓
1 x 58	✓	✓	✓	✓
2 x 36	✓	✓	✓	✓
2 x 58	✓	✓	✓	✓

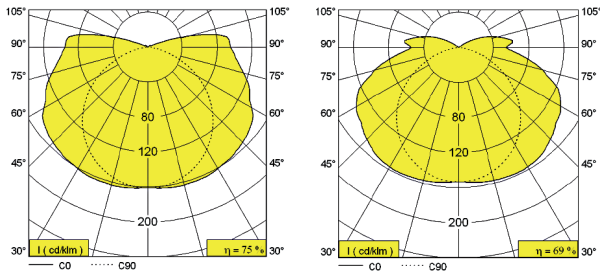
\* TW = through wiring

### Product specifications

- light cover impactproof polycarbonate
- housing: fiberglass reinforced polyester
- E-VSA
- explosion protection class: II 2 G / Ex ed / II C T4 for Zone 1, 2 (Gas) II 2 DT80 °C Zone 21, 22 (dust) only for 36 and 58 Watt
- temperature class: T4
- tc -20 °C till +40 °C
- assembly-, installation- and maintenance-friendly
- voltage: 220/240 V, 50/60 Hz

### Options

- several versions and settings possible
- zone 2, 22 for 18, 36 and 58 Watt
- eyebolts kit M8
- ceiling rail kit
- triangular tool
- spare parts



Visit our website for the most up to date information:

[www.lightronics.eu](http://www.lightronics.eu)

