

EXTREMELY IMPACTPROOF LIGHTING

All-round powerhouse



* Option

DOTT EXTREME

Application areas



Entrance



Entrance halls



Tram, bus, underground and train stations



Prisons

Housing: aluminium coated (DB703) or RAL 9010

Light source: LED

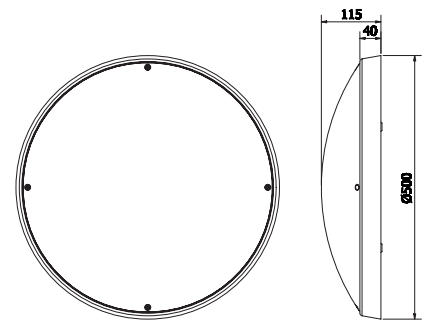
>5 x IK 10

IP 65



* Option

Dimensions in mm:



Technical specifications

LIGHT SOURCE	LUMEN OUTPUT (LM)	EXPECTED LIFESPAN HR
LED	3800	100,000
LED	4500	100,000
LED	5600	100,000
LED	6800	100,000
LED	8000	100,000



Product specifications

- cable entry: at the back (middle)
- colour temperature neutral white (4000K) or warm white (3000K)
- light cover: UV-stabilised polycarbonate opal or frosted
- dimensions (dxh): 500 x 115 mm
- assembly-, installation- and maintenance-friendly
- CRI: > 80
- voltage: 230/240 V, 50 Hz
- special coating for coastal areas
- expected lifespan 100,000 Hrs (L70 / F10)

Option

- other RAL colour
- dimming Dali
- available with wireless SmartScan technology
- emergency/continuous lighting, incl. ATF (3 hour)
- safety class II

Visit our website for the most up to date information

www.lightronics.eu

