

EXTREMELY IMPACTPROOF LIGHTING

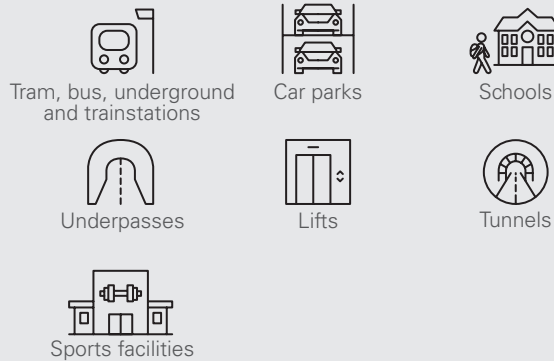


Impactproof corner mounting



ANTEGO

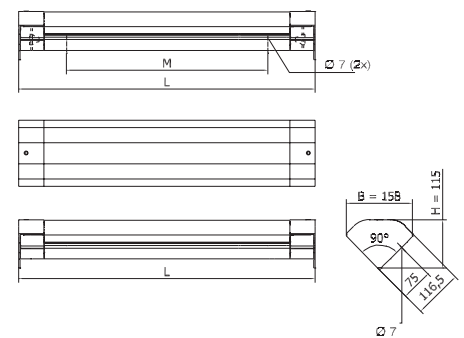
Application areas



Light cover: UV-stabilised polycarbonate
End caps: polycarbonate, batch-dyed
Housing: aluminium
Light source: LED



Dimensions in mm:

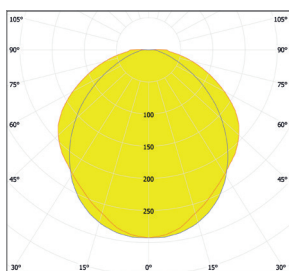


Technical specifications



LUMEN LED	HOUSING	SIZE L (MM)	SIZE M (MM)
1100 / 1300 / 1600 / 1800 / 2000 / 2200 / 2500 / 2800 / 3100 / 3400 / 3600	2	707	505
3600 / 3900 / 4400 / 5000 / 6000 / 6500 / 7000 / 7500 / 8000	4	1317	1115

LED



Product specifications

- 3 mm polycarbonate light cover, clear prismatic
- polycarbonate end caps, batch-dyed, standard black (RAL 9005) or white (RAL 9010)
- end caps and light cover are connected to the luminaire by means of captive screws
- standard closure with hexagonal socket screw
- assembly, installation and maintenance friendly
- voltage: 230/240 V, 50 Hz
- CRI: > 80
- colour temperature neutral white (4000K)
- expected lifespan Hrs: 100,000 (L70 / F10)

Options

- emergency lighting (from L 1317)
- anti-graffiti coating
- security screw: JVA 3-pin
- key for JVA 3-pin screw
- security screw: HSS
- key for security screw HSS
- safety class II
- control phase
- 1-10V/Dali
- Constant Current
- Constant Lumen Output (CLO)
- colour temperature warm white (3000K)

Visit our website for the most up to date information:

www.lightronics.eu

