



AMPULLA

— ADVANCED LIGHTING TECHNOLOGY

The AMPULLA is available with different lens configurations. This ensures light exactly where you want it in all situations and guarantees an optimal light output. The AMPULLA features an optical lens and diffuser made from UV-stabilised polycarbonate (fully transparent with a line pattern) that prevents light pollution and light nuisance and provides optimal illumination. New LED lighting solutions can be easily and quickly fitted in the luminaire. This makes the AMPULLA a sustainable and future-proof solution for your environment.



Application areas



RESIDENTIAL
STREETS



SQUARES
AND PARKS



PARKING LOTS



PEDESTRIAN AND
CYCLE PATHS

Characteristics



IP 65

IK 09

CE

ENEC

DEKRA

OPTIONS

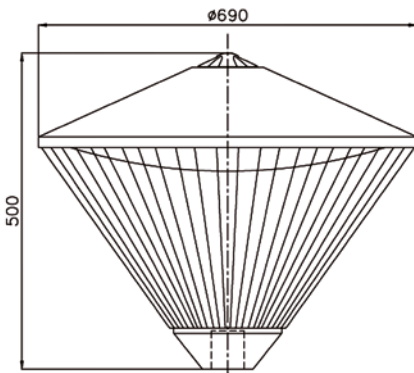


PRODUCT SPECIFICATIONS

- Top cover aluminium grey (RAL9007), coated
- Light cover polycarbonate, clear with textured strips
- Optica shielding: clear structured polycarbonate
- UniCliq unit
- Pole-mounted size: 60 mm
- Mass: ± 12.5 kg (depends on model)
- Wind surface: ± 0.2 m²
- Safety class: I
- Assembly-, installation- and maintenance friendly
- voltage: 230 / 240 V, 50 Hz
- CRI: > 70
- Colour temperature neutral white (4000K) or warm white (3000K)
- Expected lifespan 100.000 hours at T environment = 25°C (L96/F10)
- Different lens configurations

DIMENSIONS AMPULLA

in mm



OPTIES

- Captive top cover
- Pole-mounted size 76 mm
- Other RAL colour
- Safety class II
- Dali
- Constant Lumen Output (CLO)

UNICLIQ LED UNIT

The AMPULLA can be easily equipped with the latest lighting technology thanks to the UniCliq unit.

SMART CITY READY (optional)

Zhaga book 18 connector and screw cap (waterproof, IP66).



Lightronics supplies its luminaires as standard as Easy Light, with five standard dimming schedules (1A, 2A, 3A, 4A or 5A) that can switch capacity and brightness based on pre-set times.



Lightronics offers full system integration with Controlled Solutions. This includes the use of communication modules from brands such as CityTouch, Luminext or TVilight.

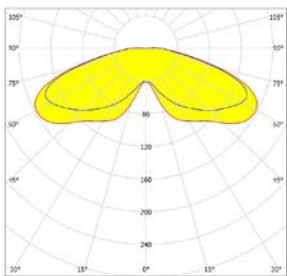
AMPULLA | LED²WELL CORE OUR STANDARD LIGHTING SOLUTION

Number of LEDs	Lumen	3000K		4000K	
		LED-power (W)	System power (W)	LED-power (W)	System power (W)
16	800	5,7	8,0	5,5	7,7
	1050	6,8	9,0	6,3	8,6
	1200	7,5	9,8	7,2	9,5
	1350	8,1	10,5	7,9	10,2
	1500	8,8	11,2	8,5	10,9
	1600	9,3	11,7	9,0	11,4
	1800	10,4	12,8	10,0	12,4
	2000	11,2	13,7	10,6	13,1
	2150	12,4	14,9	11,5	13,9
	2300	13,5	16,1	12,6	15,1
	2500	14,8	17,5	14,2	16,8
	2750	16,6	19,4	15,7	18,5
	3000	18,5	21,4	17,3	20,1

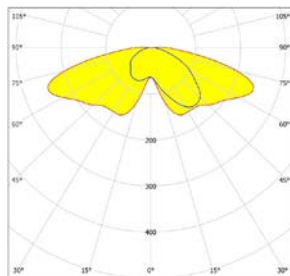
LED - CODE 7 - 4000K - 1500 LM - 10,9 W - (11,2 W BY 3000K)

Eav / Uh	Profile	Post height	Post distance
3,0 lux / 0,46	Profile 6 meter + 1 meter sidewalk	4 meter	25 meter

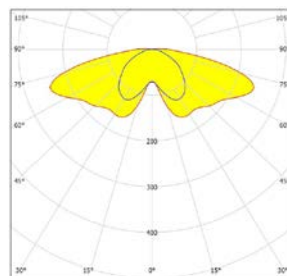
CODE 6



CODE 7



CODE 8



CODE 10

