



A2

— **LED LUMINAIRE: EXTREMELY IMPACT-RESISTANT AND WATERPROOF**

Reduce your energy and maintenance costs and improve the safety with sustainable and efficient LED (tunnel) lighting. The A2 luminaire is suitable for internal and external applications such as parking garages and tunnels. The surface-mounted luminaire is extremely impact-resistant (5x IK10) and available in various standard lengths dependent on the lumen output. The A2 can also be deployed as linear lighting.

Application areas



CAR PARKS



TUNNELS AND UNDERPASSES



PORCHES



PRISONS



STAIRCASES



Features



IP 65

≥5 x IK 10



ENEC

OPTIONS



PRODUCT SPECIFICATIONS

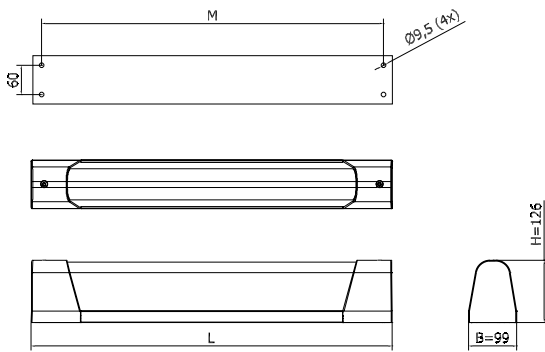
- Double coated aluminium housing, white (RAL 9010)
- End caps: double coated aluminium white (RAL 9010)
- Light cover 4 mm UV-stabilised polycarbonate, clear
- Standard closure with hexagonal socket screw
- Assembly, installation and maintenance friendly
- Voltage 230/240 V, 50 HZ
- CRI: >80
- Colour temperature neutral white (4000K)
- Expected lifespan 100.000 hours at
T environment = 25°C (L80/F10)

OPTIONS

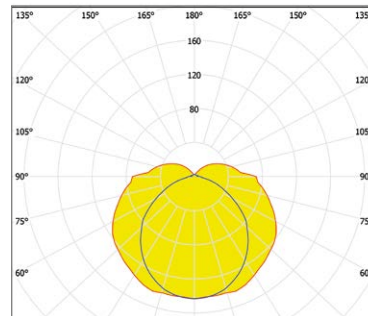
- Colour temperature warm white (3000K)
- Smartscan
- 1-10V / Dali
- Control phase
- Constant Lumen Output (CLO)
- Constant Current
- Safety class II
- Emergency lighting (from L 1346 mm)
- Night light
- Other RAL colour
- Anti-graffiti coating
- Key for JVA 3-pin
- Security screw: JVA 3-pin
- Security screw: HSS
- Key for security screw HSS

DIMENSIONS A2

in mm



LED



Lightronics supplies its fixtures standard as Easy Light with a fixed lumen output.



The smart lighting system SmartScan optimises the use of luminaires in your environment. Thanks to wireless communication, there is always sufficient light when required and energy is saved.

A2 LUMEN LED					
LUMEN LED	HOUSING	SIZE L (MM)	SIZE M (MM)	LED-POWER (W)	SYSTEM POWER (W)
1100	2	736	700	5,9	7,7
1300	2	736	700	6,9	8,9
1600	2	736	700	8,7	10,7
1800	2	736	700	9,7	11,9
2000	2	736	700	11,1	13,4
2200	2	736	700	12,1	14,5
2500	2	736	700	14,3	16,7
2800	2	736	700	16,0	18,4
3100	2	736	700	17,7	20,3
3400	2	736	700	19,9	22,7
3600	2	736	700	21,2	24,0
3600	4	1346	1310	19,5	22,4
3900	4	1346	1310	21,6	24,8
4400	4	1346	1310	24,2	27,5
5000	4	1346	1310	28,5	31,7
5500	4	1346	1310	31,1	34,6
6000	4	1346	1310	34,5	38,3
6500	4	1346	1310	38,0	41,7
7000	4	1346	1310	40,6	44,5
7500	4	1346	1310	44,1	48,2
8000	4	1346	1310	46,8	51,2