

EXTREMELY IMPACTPROOF LIGHTING

Extremely impactproof and fully waterjet-proof



A2

Application areas



Car parks



Portals



Police stations



Tunnels



Stair wells



Prisons

Light cover: UV-stabilised polycarbonate

Housing: aluminium, coated

Light source: LED

IP 65

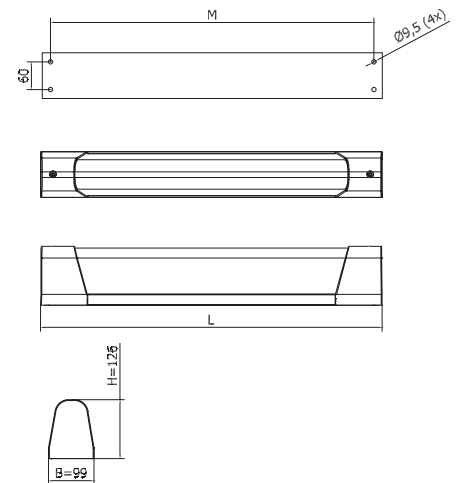
5 x IK 10



ENEC



Dimensions in mm:



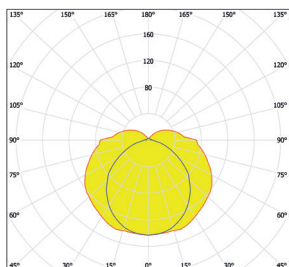
* option

Technical specifications



LUMEN LED	HOUSING	SIZE L (MM)	SIZE M (MM)
1100 / 1300 / 1600 / 1800 / 2000 / 2200 / 2500 / 2800 / 3100 / 3400 / 3600	2	736	700
3600 / 3900 / 4400 / 5000 / 6000 / 6500 / 7000 / 7500 / 8000	4	1346	1310

LED



Product specifications

- light cover 4-mm polycarbonate, clear or opal
- end caps: double coated aluminium, white (RAL 9010)
- double coated aluminium housing, white (RAL 9010)
- standard closure with hexagonal socket screw
- assembly, installation and maintenance friendly
- voltage: 230/240 V, 50 Hz
- CRI: > 80
- colour temperature neutral white (4000K)
- expected lifespan Hrs: 100,000 (L70 / F10)

Options

- emergency lighting (from L 1346 mm)
- night light
- other RAL colour
- anti-graffiti coating
- security screw: HSS
- key for security screw HSS
- security screw: JVA 3-pin
- key for JVA 3-pin screw
- safety class II
- control phase
- 1-10V/Dali
- Constant Current
- Constant Lumen Output (CLO)
- colour temperature warm white (3000K)

Visit our website for the most up to date information:

www.lightronics.eu

